

HUNTING

READY FOR POWER

ANSCHÜTZ

EINFACH EINS WERDEN!



HUNTING

TABLE OF CONTENTS

1782	4
1782 Models	10
1782 Features.....	14
1782 Configurator	22
1782 Accessories	26
1771	28
1771 Models	32
1771 Features.....	34
1771 Configurator	40
1771 Accessories	42
1761	44
1761 Models.....	48
1761 Features	54
1761 Configurator.....	62
1761 Accessories.....	64
1727 F	66
1727 F Models	70
1727 F Features	72
1727 F Accessories.....	74
ANSCHÜTZ MERCHANDISE	76
ANSCHÜTZ CUSTOM SHOP	82



ASSOCIATED WITH HUNTING **SINCE 1856**

“Creativity” is the result of curiosity applied to a subject or task.

“When a new rifle is created at ANSCHÜTZ, there will have been dozens of creative moments and hundreds of decisions on the path to perfection. This can never be the work of just a single person - it is teamwork in perfection. Absolutely unthinkable without the curiosity and motivation of each and every co-worker!

Every one of them is a competence center at ANSCHÜTZ.

Even though we are justifiably very proud of the finished product: In principle, the route taken is the more important part. You can only achieve the goal yourself, in the process we always re-learn something and learn something new. The goal, however, sometimes has something final about it, and is thus “uncreative”.

I would like to thank our employees for their creativity!
And I would like to hope that you can detect how much creativity has been realised in our hunting rifles!”

A man in a dark green jacket and brown pants is holding a rifle in a forest. The jacket has 'ANSCHÜTZ' written on it. The background is a dense forest with tall grasses and trees.

Maximilian Anschütz

Maximilian Anschütz

6. Generation and company officer



**ACCURATE AND RELIABLE
UNDER ALL CIRCUMSTANCES**



ANSCHÜTZ

EINFACH EINS WERDEN!

1782





"Just right for our 165th company anniversary, **we are moving forward into a new dimension**, where no ANSCHÜTZ rifle has gone before. We at ANSCHÜTZ are proud to be able to present you the magnum caliber .300 Win. Mag. for the first time in our long company history."

„GOOD HUNTING!“

1782

THE NEW DAY

The sky is reddening. Remnants of night-time grey, pale yellow. The morning dew hangs in the air and coats the wood on the hunting stand. Hoping for the first quarry.

An owl heard hours ago, a woodpecker hammers in the distance. The twilight is filled with waiting.

There! A branch moving against the wind! No rapid movement at all – not a word, no noise of any kind! Get your rifle. Time expands. Carefully change your position.

The game shows itself.

Aim. Release the safety catch silently, completely silently. Very good rifle! The correct choice. High-tech without pomp and grandeur, straightforward design, precise and rapid action. The eye looks through the telescopic sight, the finger on the trigger senses the two stage. Infinitely fine trigger adjustment. The stock radiates an intimate feeling and transfers to the body.

Waiting becomes concentration.

***THINK POWERFUL.
SHOOT MAGNUM.***

A **NEW** Dimension

ANSCHÜTZ

EINFACH EINS WERDEN!



1782 Available
in caliber

.300 WIN. MAG.

NEW - 1782 CLASSIC PRO WITH ADJUSTABLE COMB

Connection of tradition and new. The classic stock made of fine walnut wood which has the potential to become a bestseller. The adjustable comb can be individually adjusted by the shooter to his requirements and thus leads to a relaxed and calm position of your head.



- 1 Slip resistant rubber butt pad
- 2 Classic PRO stock with adjustable comb, made of oiled walnut
- 3 Sliding safety catch
- 4 Hard-chromed fine-ground bolt with 6 locking lugs
- 5 Barrelled action milled from solid steel with integrated Picatinny rail
- 6 ANSCHÜTZ Precision barrel
- 7 Barrel thread M15x1



Also available as a left-hand version.

- 8 Studs
- 9 Classic style stock, made of beautiful grown walnut
- 10 Match single stage trigger 5082 D, 400 – 1.550g
- 11 Fast Release by integrated magazine release lever in the trigger guard
- 12 Fast release 3-shot magazine made from stainless steel (caliber .300 Win. Mag. 2-shot magazine)
- 13 Non-slip checkering



Also available as a left-hand version.

1782 CLASSIC **WELL-BALANCED**

The well balanced and ambidextrous oiled walnut stock. Looks traditional – looks good. For the right-handed shooter, for the left-handed shooter. Straight-forward, effective, low in vibration, well-balanced. Laser-cut, weather-resistant checkering for optimal grip. Shock-absorbing, non-slip butt pad.

1782 GERMAN STOCK

BALANCED, AESTHETIC AND TIMELESS

Made from walnut from age-old forests, visually and functionally refined with a non-slip checkering. Hard and deformation-resistant, natural and individual. No stock is the same as any other. The rubber butt pad absorbs the recoil and holds the rifle securely in the shoulder when aiming.



- 1 Slip resistant rubber butt pad
- 2 German style stock, made of beautiful grown walnut
- 3 Sliding safety catch
- 4 Hard-chromed fine-ground bolt with 6 locking lugs
- 5 Barrelled action milled from solid steel with integrated Picatinny rail
- 6 ANSCHÜTZ Precision barrel
- 7 Barrel thread M15x1
- 8
- 9
- 10
- 11



- 8 Studs
- 9 Thumbhole stock, made of beautiful grown walnut
- 10 Match single stage trigger 5082 D, 400 – 1.550g
- 11 Fast Release by integrated magazine release lever in the trigger guard
- 12 Fast release 3-shot magazine made from stainless steel (caliber .300 Win. Mag. 2-shot magazine)
- 13 Non-slip checkering

1782 THUMBHOLE STOCK **A SYMBIOSIS OF STYLE AND FUNCTION**

A futuristic design that incorporates the attributes of a classic. Quiet and precise stop. The trigger finger remains strain-free and movable; it doesn't have to support anything. As for the carefully selected and mature walnut wood: a gentle oil bath gives the stock its matt appearance and protects it from the elements.

6

2

7

12

13



PRECISE INTERACTION

MADE OF WOOD AND STEEL



1782

COMPLEX AND SIMPLE

Nothing convinces one more quickly and substantially than reduction, simplicity, purism - where nothing distracts and everything is pure concentration, every optical effect, every function. Such as with the ANSCHÜTZ centerfire hunting bolt-action rifle 1782. A hunting rifle that, in essence, consists purely of wood and steel. Unpretentious and simple.

It is only with familiarization that one discovers the complexity of the 1782, and is amazed by its precision of modern engineering. Only then does the admiration increase, the owner's pride radiates in the unpretentious yet highly-complex rifle in his hands.

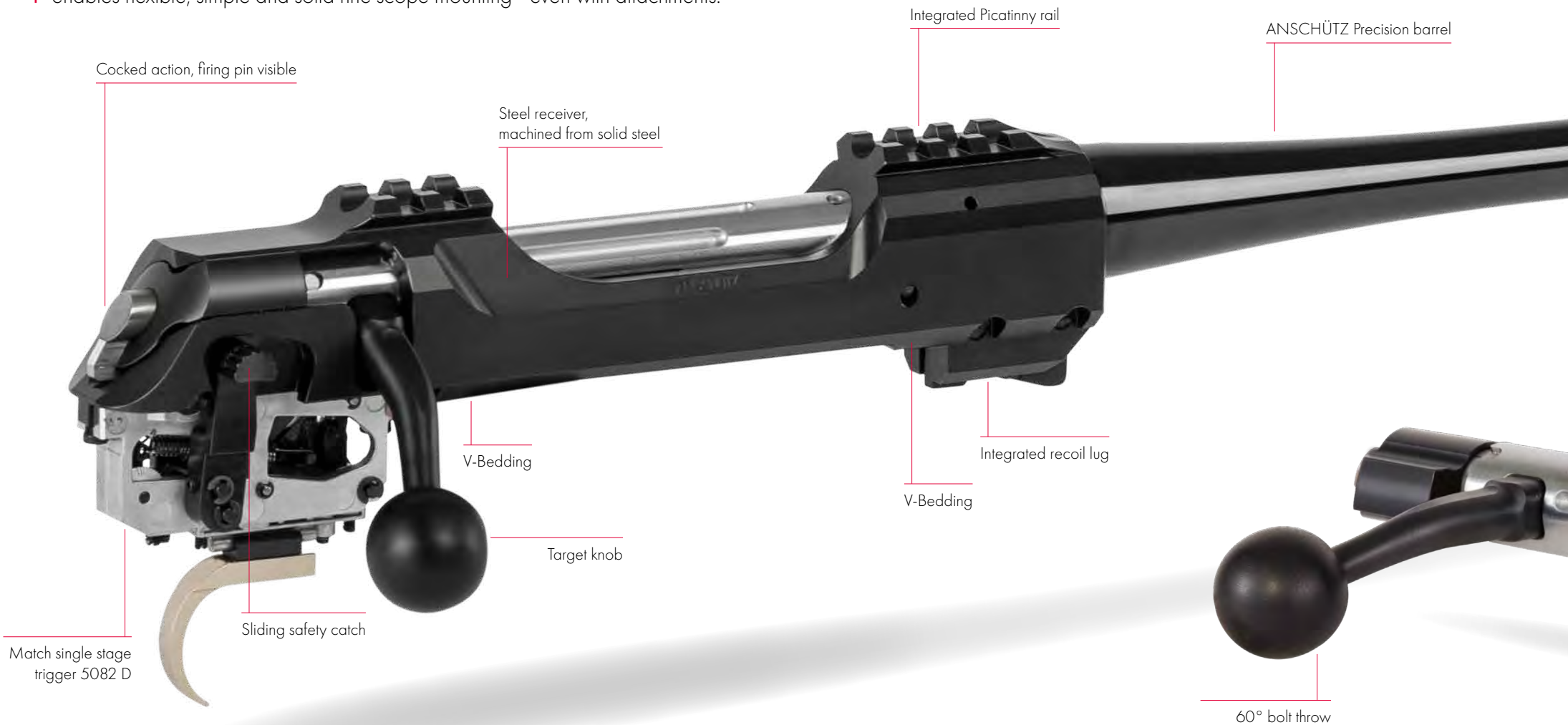
The 1782. A rifle that radiates calm and imparts competence. Welcomed attributes, so important during the hunt.

When we go hunting.

1782 STEEL RECEIVER

MADE TO WITHSTAND

Barrelled action made from steel. Purity and quality - classically blued. Securely mated to the stock for outstanding shooting performance. Sturdy and resistant to heat and cold. Highly-precise surfaces that display elegance in design and allow the bolt to slide internally without any resistance. A reliable companion with unmatched precision and function. Timeless perfection! The integrated Picatinny rail enables flexible, simple and solid rifle scope mounting - even with attachments.



1782 BOLT MOVEMENT

MOVING, SILKY SOFT, PRECISE, QUICK

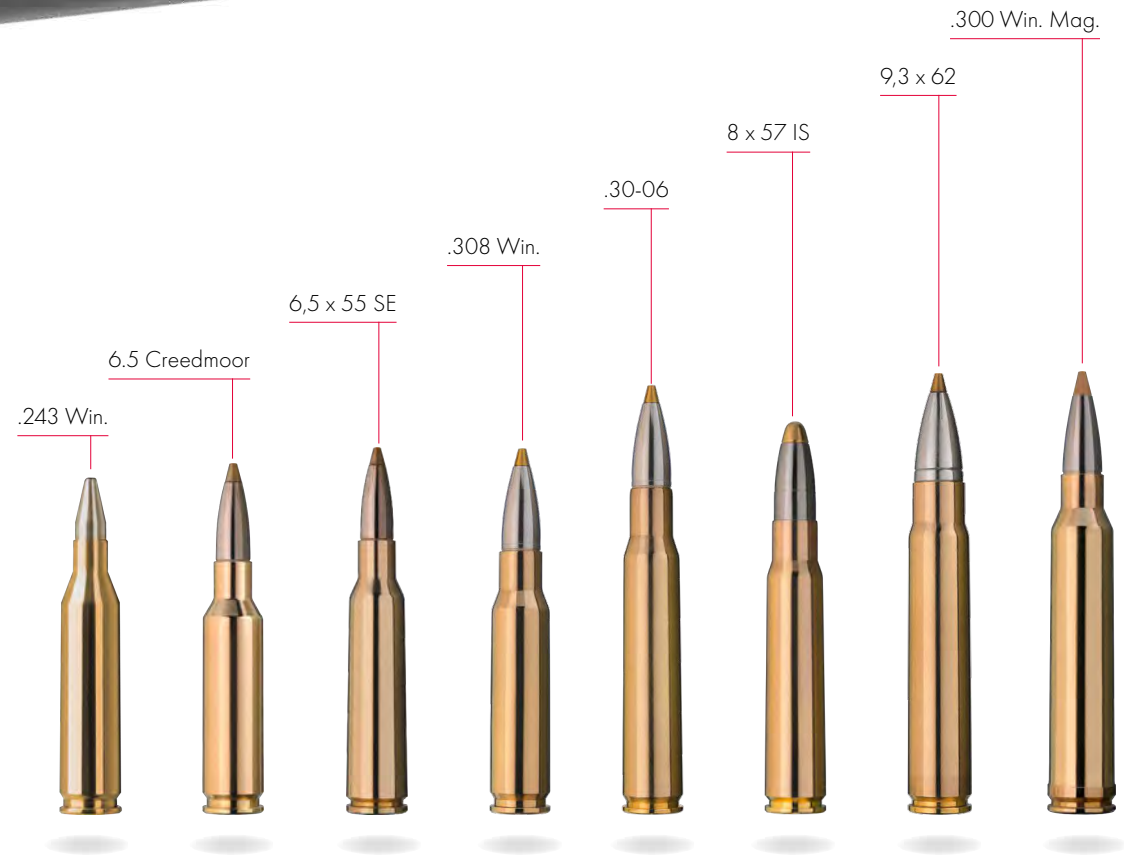
A bolt movement that never fails to impress. Hard-chromed bolt, fine-ground for silky-soft repeating. Corrosion-protected. Two-row six locking lugs - a reliable, stable detail for the highest level of safety.

ANSCHÜTZ
EINFACH EINS WERDEN!

Barrel thread M15x1 with thread protector or recessed muzzle

Hard-chromed fine-ground bolt

Two-row six locking lug



1782 Caliber – Ready for power

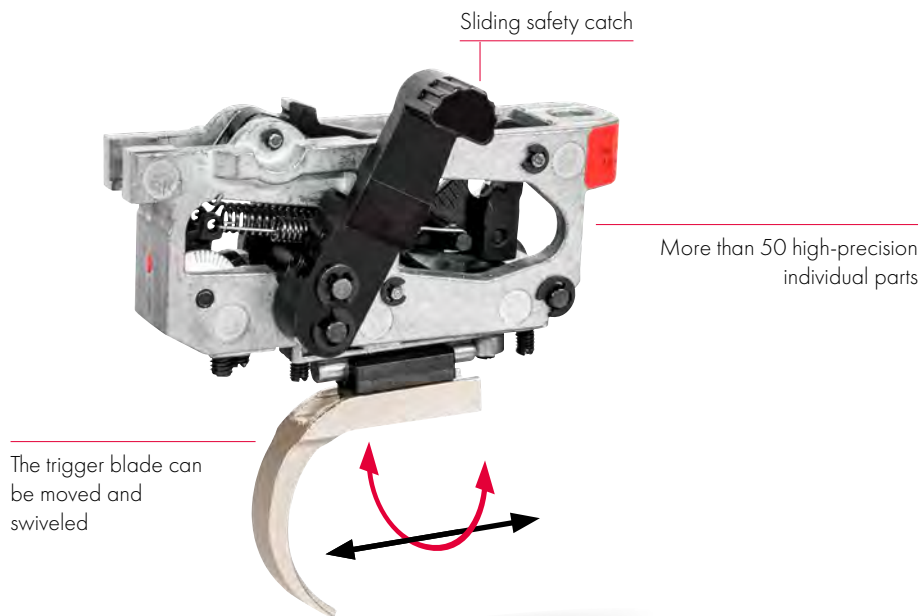
1782 TRIGGER

PEAK OF THE ANSCHÜTZ COMPETENCE

Precision and refinement from high-performance sports - in summer and winter. Extremely wide adjustment range for the two stage and triggerweight. The location in the rifle with the decisive moment - 50 high-precision parts in harmony in the tightest of spaces. For a single task! The perfect harmonization between man and rifle. Unparalleled.

There is nothing better.

- Adjustable match single stage trigger 5082 D, set in factory to 1.100g, adjustable from 400 – 1.550g
- Ergonomic and silent safety catch operation
- The grippy trigger blade can be moved and swiveled
- The trigger characteristic can be changed from single stage to a two stage



1782 PRECISION ANSCHÜTZ GUARANTEED

Before a 1782 leaves our factory in Ulm, each rifle is checked for shooting and safety; and then, the repeater receives the official proof house seal.

Before this can happen, we have already manufactured the 1782 so precisely, and assembled it so meticulously, that we are able to give each rifle a guarantee to take with it to the customer - **the ANSCHÜTZ guarantee of precision!**

It means that: Three shots, one after the other, will be a maximum of 1 MOA apart. The decisive factor, that makes the guarantee so valuable, is that: 1 MOA are "enclosed". In other words: The outer edges of the hits on the target are no more than 1 MOA apart from each other!

1 MOA (29 mm)

For the following calibers, we guarantee, for 3 shots, maximum group sizes* of 1 MOA.

.243 Win.	.30-06
6.5 Creedmoor	8 x 57 IS
6,5 x 55 SE	9,3 x 62
.308 Win.	.300 Win. Mag.



Typical 3-shot .308 Win. test fire group at 100 m*. Each rifle is delivered with the original test target and the Quality Control card.



* shot using Premium Hunting Ammunition



Then as now -
highest precision in manufacturing barrels!
The ANSCHÜTZ barrel specialists working at the special barrel
crafting machines in the ANSCHÜTZ factory in Ulm, approx. 1955

1782 MAGAZINE

SIMPLE HANDLING, RAPID EJECTION

The magazine holds three cartridges, is made from sturdy stainless steel and is thus insensitive to dust, dirt and water. Convenient handling of the magazine as a result of the handy magazine base.

The magazine, which is located safely and securely in the magazine guide, is particularly easy to remove. Slight pressure with your index finger on the magazine release lever and the magazine slides out of the magazine guide!

Fast Release!



3-Shot magazine,
included in scope
of delivery

5-Shot Driven hunt
magazine, optionally
available as accessory



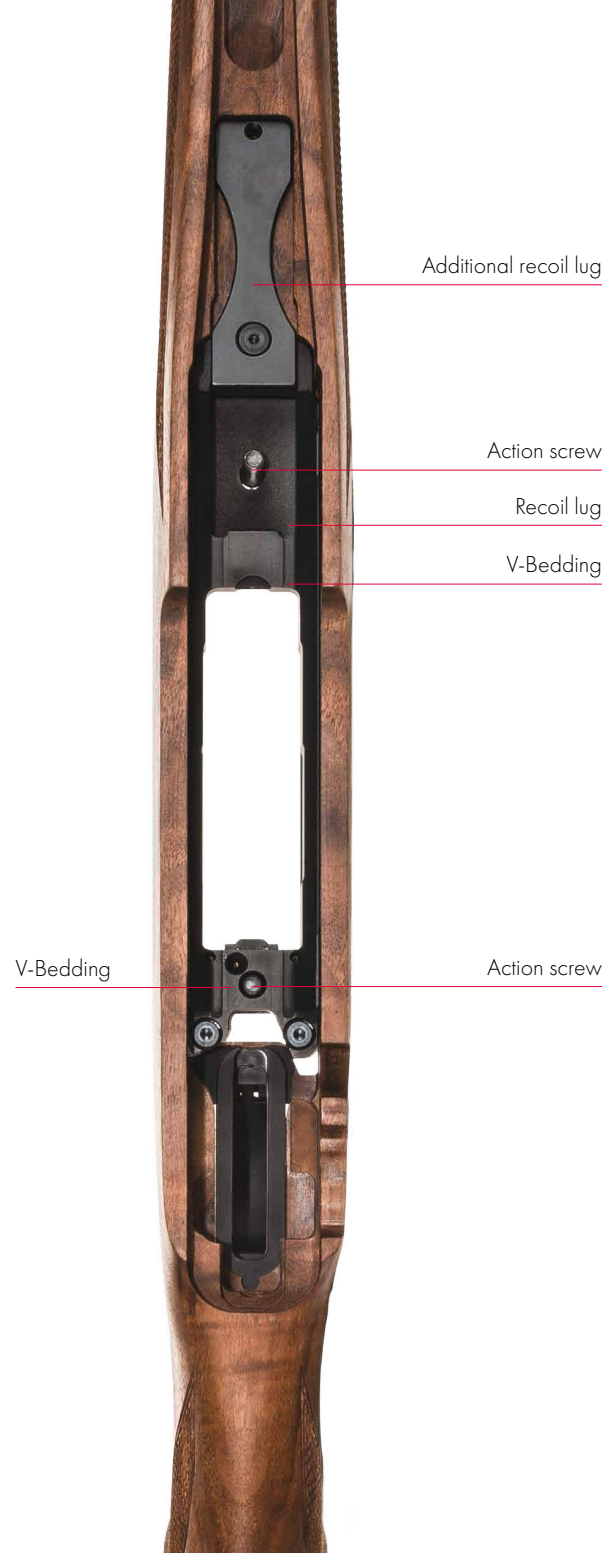
1782 THE STOCKS

MAKE EACH RIFLE UNIQUE

Due to its qualities, Walnut is chosen from age old forests, then elegantly sculpted to form a balance between beauty and functionality with non slip checkering. Every stock rewards the senses, all are unique and distinctive.

The rubber butt pad absorbs the recoil and holds the rifle securely in the shoulder when aiming.

- Oiled walnut
- Solid aluminum action carrier with additional recoil lug for precise and sturdy bedding of the steel barreled action
- V-Bedding, an important guarantee for the overwhelming shooting performance
- Magazine release lever integrated in the trigger guard



ANSCHÜTZ

EINFACH. EINS. WEITLICH.



1782 CONFIGURATOR - RIGHT HAND VERSION

YOUR PERSONAL 1782 - ACCORDING TO YOUR WISHES!

Technical data (depending on the configuration):

The total weight is between 3.200 g and 3.900 g.

The total length is between 970 mm and 1.150 mm.

1. CHOOSE A STOCK



Classic

Length of pull400 mm

Length of stock800 mm

Material.....Walnut, oiled

↑ max. 45 mm



Classic PRO

Length of pull400 mm

Length of stock800 mm

Material.....Walnut, oiled



German Stock

Length of pull380 mm

Length of stock790 mm

Material.....Walnut, oiled



Thumbhole Stock

Length of pull400 mm

Length of stock800 mm

Material.....Walnut, oiled

2. CHOOSE A CALIBER

.243 Win.

Number of grooves6

Twist rate.....254 mm



6.5 Creedmoor

Number of grooves6

Twist rate.....203 mm



6,5 x 55 SE

Number of grooves4

Twist rate.....220 mm



.308 Win.

Number of grooves4

Twist rate.....305 mm



.30-06

Number of grooves4

Twist rate.....252 mm



8 x 57 IS

Number of grooves4

Twist rate.....240 mm



9,3 x 62

Number of grooves4

Twist rate.....360 mm



.300 Win. Mag.

Number of grooves6

Twist rate.....254 mm



Scope of delivery:

Model 1782 configurations will be delivered with a 3-round magazine (with caliber .300 Win. Mag. 2-shot magazine), sling swivel and a thread protector (if the barrel is selected with barrel thread) in the transport rifle case MEGA.



3. CHOOSE A BARREL LENGTH

470 mm (18.5 Inch) Barrel

Length of barreled action650 mm

Muzzle diameter 18 mm



470 mm barrel only with caliber .308 Win.

520 mm (20.5 Inch) Barrel

Length of barreled action700 mm

Muzzle diameter 18 mm



580 mm (22.8 Inch) Barrel

Length of barreled action760 mm

Muzzle diameter 18 mm



600 mm (23.6 Inch) Barrel

Length of barreled action780 mm

Muzzle diameter 18 mm



650 mm (25.6 Inch) Barrel

Length of barreled action830 mm

Muzzle diameter 18 mm



4. CHOOSE A MUZZLE OPTION

Barrel thread M15x1 with thread protector

The barrel thread allows you to quickly and easily assemble a sound moderator or a muzzle brake.



Recessed muzzle

High-precision manufactured muzzle that is slightly recessed in the center.



5. CHOOSE A WOOD CLASS

Wood class Standard*



Wood class Premium*



Wood class Luxus*



Wood class Meistergrade*



*All wood classes shown are only examples. Wood is a natural product. Deviations in grain, wood structure and color within the ANSCHÜTZ wood quality classes are possible.

1782 CONFIGURATOR - LEFT HAND VERSION

YOUR PERSONAL 1782 - ACCORDING TO YOUR WISHES!

Technical data (depending on the configuration):

The total weight is between 3.200 g and 3.900 g.

The total length is between 970 mm and 1.150 mm.

1. CHOOSE A STOCK



Classic PRO

Length of pull400 mm

Length of stock800 mm

Material.....Walnut, oiled



Classic

Length of pull400 mm

Length of stock800 mm

Material.....Walnut, oiled

2. CHOOSE A CALIBER

.243 Win.

Number of grooves6

Twist rate.....254 mm



6.5 Creedmoor

Number of grooves6

Twist rate.....203 mm



6,5 x 55 SE

Number of grooves4

Twist rate.....220 mm



.308 Win.

Number of grooves4

Twist rate.....305 mm



.30-06

Number of grooves4

Twist rate.....252 mm



8 x 57 IS

Number of grooves4

Twist rate.....240 mm



9,3 x 62

Number of grooves4

Twist rate.....360 mm



.300 Win. Mag.

Number of grooves6

Twist rate.....254 mm



Scope of delivery:

Model 1782 configurations will be delivered with a 3-round magazine (with caliber .300 Win. Mag. 2-shot magazine), sling swivel and a thread protector (if the barrel is selected with barrel thread) in the transport rifle case MEGA.



3. CHOOSE A BARREL LENGTH

470 mm (18.5 Inch) Barrel

Length of barreled action650 mm

Muzzle diameter 18 mm



470 mm
barrel only
with caliber
.308 Win.

520 mm (20.5 Inch) Barrel

Length of barreled action700 mm

Muzzle diameter 18 mm



580 mm (22.8 Inch) Barrel

Length of barreled action760 mm

Muzzle diameter 18 mm



600 mm (23.6 Inch) Barrel

Length of barreled action780 mm

Muzzle diameter 18 mm



650 mm (25.6 Inch) Barrel

Length of barreled action830 mm

Muzzle diameter 18 mm



4. CHOOSE A MUZZLE OPTION

Barrel thread M15x1 with thread protector

The barrel thread allows you to quickly and easily assemble a sound moderator or a muzzle brake.



Recessed muzzle

High-precision manufactured muzzle that is slightly recessed in the center.



5. CHOOSE A WOOD CLASS

Wood class Standard*



Wood class Premium*



Wood class Luxus*



Wood class Meistergrade*



*All wood classes shown are only examples. Wood is a natural product. Deviations in grain, wood structure and color within the ANSCHÜTZ wood quality classes are possible.

1782 ACCESSORIES FOR THE FINISHING TOUCH



1782 Magazine replacement,
3 or 2 shots, depending on the
caliber (2 shots only with caliber
.300 Win. Mag.)



1782 Driven hunt magazine,
5 or 3 shots, depending on the
caliber (3 shots only with caliber
.300 Win. Mag.)



Golden trigger blade,
a small but elegant highlight that
makes every rifle to something
unique.



Target knob,
made of beautiful grown walnut,
20 mm or 25 mm diameter.



ANSCHÜTZ Special soft case for hunting and sporting rifles,
as a special feature, the new carrying strap system, including a lock,
also lets you carry the soft case on your back.
Outer dimensions: 1.250 x 250 x 50 mm





ANSCHÜTZ 1782

THE RIFLE FOR HUNTING



**UNCOMPROMISING –
THE BEST FOR TWO WORLDS**



ANSCHÜTZ

EINFACH **EINS** WERDEN!

1771



In our world where digital is the main thing, craftsmanship and experience almost seem to be outdated. ANSCHÜTZ guarantees to be always **uncompromisingly traditional** – but still act with the trend of the **modern world**! Ideas are our "software"; experience is carrying us into the future. Values are associated with purpose; we're experts in producing excellent firearms for exacting shooters. So you can proudly say:

„MY ANSCHÜTZ!“

1771

HIGH-TECH MASTERPIECE!

OK. We recognize that calling the 1771 a "high-tech masterpiece" sounds a lot like marketing speak and like we're promoting something. But how else could we describe a rifle that

- hits the target with fantastic precision;
- has an incredibly soft and extremely quick-to-repeat bolt movement;
- works reliably in all wind and weather conditions;
- is the ideal rifle for both hunting and target shooting: Additionally, it's also perfect for training in hunting schools and for use as a training firearm or in a shooting simulator!

So we thought all over that again, before finally realizing: That's right, it's really a "masterpiece". But we like also calling it simply: the **ANSCHÜTZ 1771!**

1771 GERMAN STOCK

BALANCED, AESTHETIC AND TIMELESS

Made from walnut from age-old forests, visually and functionally refined with a non-slip checkering. Hard and deformation-resistant, natural and individual. No stock is the same as any other. The rubber butt pad absorbs the recoil and holds the rifle securely in the shoulder when aiming.



- 1 Slip resistant rubber butt pad, ventilated
- 2 German style stock, made of beautiful grown walnut
- 3 Sliding safety catch
- 4 Fine-ground bolt with locking lugs
- 5 Picatinny rail, assembled in the factory
- 6 ANSCHÜTZ Precision barrel

- 7 Barrel thread M15x1
- 8 Slip resistant rubber butt pad
- 9 Studs
- 10 Non-slip checkering
- 11 Match two stage trigger 5098/71, 300 – 800 g
- 12 Magazine release lever

- 13 Magazine easy to exchange, made of stainless steel
- 14 Ergonomic thumbhole stock, made of beautiful grown walnut
- 15 DJV-Stock, made of beautiful grown walnut
- 16 Cheek piece, adjustable in height via fast clamping
- 17 Magazine release lever (at DJV, integrated in the stock)
- 18 Magazine easy to exchange, made of stainless steel (at DJV, ends flat with the stock)

1771 THUMBHOLE STOCK

A SYMBIOSIS OF STYLE AND FUNCTION

A futuristic design that incorporates the attributes of a classic. Quiet and precise stop. The trigger finger remains strain-free and movable; it doesn't have to support anything. As for the carefully selected and mature walnut wood: a gentle oil bath gives the stock its matt appearance and protects it from the elements.



1771 DJV-STOCK

AT THE FRONTIER OF HUNTING AND SPORT

Made from beautifully grown walnut wood with the finest oil finish, the stock is specially developed for competitive hunting style shooting. The adjustable cheek piece reduces head tilt and relaxes the neck muscles. The special DJV magazine ends flat with the stock. The fore-end can be hold without annoying elements.



What secures success in target and competitive shooting, delivers undoubted safety when hunting. **ANSCHÜTZ 1771: the best for two worlds!**

TRANSFER OF KNOW-HOW AND HIGH CLASS QUALITY



1771

REFINED FINESSE OVER A LENGTH OF 1 METER

When it comes to target shooting, ANSCHÜTZ enjoys the highest reputation. Our rifles are synonymous with unprecedented precision, marksmanship and robustness. They are appreciated by top marksmen over the world.

The ANSCHÜTZ 1771 benefit of all these attributes for hunting and competitive shooting. Equipped with a silky-smooth and customisable 300 g to 800 g trigger weight, the particularly quiet and rapid bolt movement and the cylindrical precision barrel, the 1771 is a hunting rifle that crosses the fields of target shooting and hunting. It meets the needs of both segments.

1771 RECEIVER A COMPACT STATEMENT

The lightweight receiver is robust and resistant. Incorporated immovably in the stock for outstanding shooting performance. Sturdy and resistant to heat and cold. With a matt-finished appearance that's timelessly elegant. Equipped with a Picatinny rail - assembled in factory - to make it flexible and versatile. Gas vent holes are an inconspicuous but important detail for your safety.

1771 BOLT SAFETY FIRST!

Complete without a gap, for maximum safety: the single-row three locking lug. A reliable and durable element.



1771 MAGAZINE STRONG RESERVE

Extremely comfortable to handle! The magazine holds three, four or five cartridges (depending on the caliber), is made from sturdy stainless steel and is thus insensitive to dust, dirt and water.

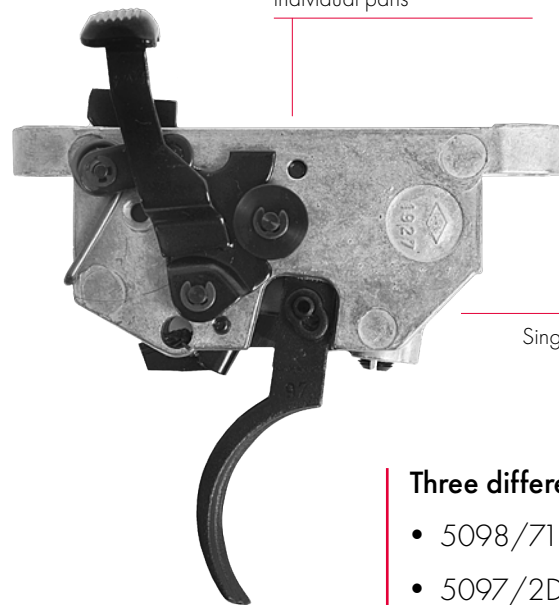
Recessed muzzle or barrel thread M15x1
with thread protector



Magazine made from stainless steel



More than 25 high-precision
individual parts



Single-stage trigger 5097/2D Tuning

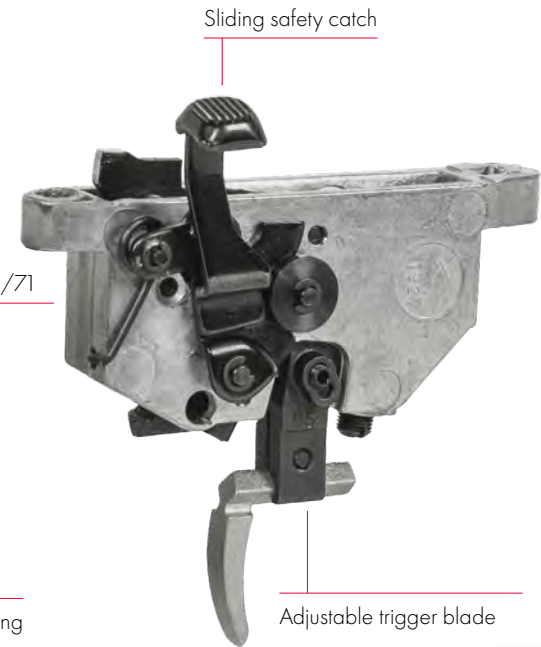
1771 TRIGGER A MASTER STROKE

Repeatedly demonstrated precision from high-performance sports – in summer and winter. Extremely wide adjustment range for the two stage and trigger weight (300g to 800g).

The location in the rifle with the decisive moment: 25 high-precision parts in harmony in the tightest of spaces for a single task – creating the perfect "interface". The interface between human and rifle. Near to unique, and meanwhile adapted by other manufacturers.

There is nothing better.

Two-stage trigger 5098/71



Sliding safety catch

Adjustable trigger blade

Three different triggers can be chosen:

- 5098/71 – Match two stage trigger, adjustable from 300g – 800g
- 5097/2D Tuning – Match single stage trigger, adjustable from 450g - 700g
- 5097/2D – Match single stage trigger, adjustable from 1.000g - 2.000g



Almost a new type of firearm:
the perfect choice for **roe deer**
and **small game** hunting grounds
and, at the same time, ideal for
target shooting and **training**.

**A HUNTING RIFLE FOR
(ALMOST) EVERYTHING!**

1771

EXCEPTIONALLY INDIVIDUAL

Stock and barrel, bolt and trigger, receiver and cartridge –
you might think a rifle is, in itself, quite a simple product.

Far from it!

The trigger of the 1771 alone is made up of over 25 components!
It comes in three versions. Three stocks, two barrel lengths ...
the choice of caliber increases the range of configurations
considerably.

Combine your requirements, then you'll end up holding
a rifle that's been configured so it's virtually one-of-a-kind.

The ANSCHÜTZ 1771.

1771 CONFIGURATOR – RIGHT HAND VERSION

YOUR PERSONAL 1771 – ACCORDING TO YOUR WISHES!

Technical data (depending on the configuration):

The total weight is between 3.400 g and 3.900 g.

The total length is between 984 mm and 1.080 mm.

1. CHOOSE A STOCK



Thumbhole stock

Length of pull400 mm

Length of stock780 mm

Material.....walnut, oiled



German stock

Length of pull375 mm

Length of stock770 mm

Material.....walnut, oiled



DJV stock

Length of pull360 mm

Length of stock800 mm

Material.....walnut, oiled

2. CHOOSE A CALIBER

.17 Hornet

Number of grooves6

Twist rate.....228 mm

Magazine capacity5 Shot



.22 Hornet

Number of grooves6

Twist rate.....400 mm

Magazine capacity3 Shot



.222 Rem.

Number of grooves6

Twist rate.....356 mm

Magazine capacity4 Shot



.223 Rem.

Number of grooves6

Twist rate.....305 mm

Magazine capacity4 Shot



Scope of delivery:

Model 1771 configurations will be delivered with a magazine ①, sling swivel and a thread protector (if the barrel is selected with barrel thread) in the transport rifle case MEGA. DJV stocks will be delivered with an DJV magazine ②.



3. CHOOSE A BARREL LENGTH

510 mm (20 Inch) Barrel

Length of barreled action672 mm

Muzzle diameter 18 mm



586 mm (23 Inch) Barrel

Length of barreled action748 mm

Muzzle diameter 18 mm



4. CHOOSE A MUZZLE OPTION

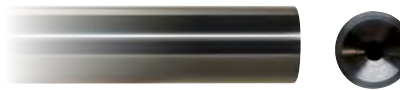
Barrel thread M15x1 with thread protector

The barrel thread allows you to quickly and easily assemble a sound moderator or a muzzle brake.

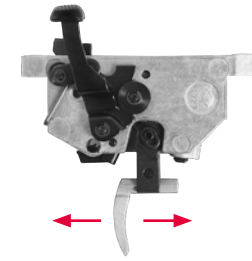


Recessed muzzle

High-precision manufactured muzzle that is slightly recessed in the center.



5. CHOOSE A TRIGGER



Two stage trigger 5098/71

Adjusted to300 g

Range of adjustment300 g - 800 g

Adjustment of the trigger blade..... 17,7 mm



Single stage trigger 5097/2 D Tuning

Adjusted to500 g

Range of adjustment450 g - 700 g

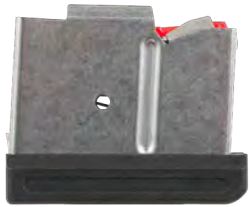


Single stage trigger 5097/2 D

Adjusted to1.200 g

Range of adjustment1.000g - 2.000g

1771 ACCESSORIES FOR THE FINISHING TOUCH



1771 Magazine replacement,
different number of shots
depending on the caliber.
.17 Hornet - 5 Shot
.22 Hornet - 3 Shot
.222 Rem. - 4 Shot
.223 Rem. - 4 Shot



1771 DJV Magazine replacement,
different number of shots
depending on the caliber.
.17 Hornet - 5 Shot
.22 Hornet - 3 Shot
.222 Rem. - 4 Shot
.223 Rem. - 4 Shot



1771 Single loader adapter,
perfect for the shooting range to
comfortably reload single cartridges.



Wood class Standard*



Wood class Premium*



Wood class Luxus*



Wood class Meistergrade*



1771 Barrel weight 365 g,
for optimal balance while
aiming on moving targets.



ANSCHÜTZ Special soft case for hunting and sporting rifles,
as a special feature, the new carrying strap system, including a lock,
also lets you carry the soft case on your back.
Outer dimensions: 1.250 x 250 x 50 mm



Target knob,
made of high-strength steel,
25 mm diameter.



Target knob,
made of beautiful grown walnut,
20 mm or 25 mm diameter.

*All wood classes shown are only examples. Wood is a natural product. Deviations in grain, wood structure and color within the ANSCHÜTZ wood quality classes are possible.

Max Schmeling (left) on a visit to the ANSCHÜTZ hunting and target firearms factory in Ulm. His discussions with Dieter Anschütz prompted changes to the company logo.

ANSCHÜTZ

EINFACH EINS WERDEN!

"Loving where we've come from, living for where we're going and thinking the unthinkable!"

DIETER ANSCHÜTZ



THE SYNTHESIS OF HIGH TECHNOLOGY AND CRAFTSMANSHIP

ANSCHÜTZ

EINFACH EINS WERDEN!



1761



Since 1856, over the course of six generations, we have paired available knowledge with newly-obtained scientific understanding. We generate **trust**, we generate **reliability**, we generate **precision**. All of this, so you can stand up proudly and say:

"MY ANSCHÜTZ"



1761

THE FIRST SHOT

You pick it up, and at once you feel:

This small-bore rifle is something else!

At this moment, you probably won't think immediately about the gunsmith in his studio and about the time spent in **polishing metal components**; maybe you don't know anything about the care with which the technician **lapped** and **honed** the barrel, but the matte surface, the perfectly soft gliding head of the bolt, and the **closed** connection of the stock and framework formed by the hidden thrust bearing will captivate you.

You will likely not even feel the small bearing, the four millimeters of steel support in the interior of the bolt, in which the three-lug locking mechanism ensures a self-centring closure in the action, but you will certainly notice the smooth repeating speed of the 1761.

The way you become one with the 1761 will trigger a smile: My rifle!

You won't want to put it down.

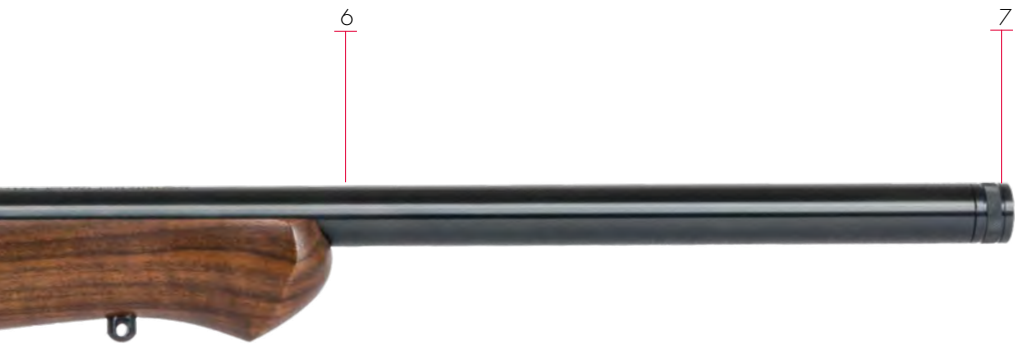
1761 THUMBHOLE STOCK

THE COMPLEX MADE SIMPLE – PRECISION IN PERFECTION

The thumbhole stock. The eye-catcher when it comes to optical and functional advantages. Light walnut, oiled with satin finish; the trigger finger is free to act without being burdened. The milled recesses lend the 1761 in the thumbhole stock a futuristic look, which will maintain its good appearance for many years to come!



- 1 Non-slip rubber butt pad
- 2 Ergonomic walnut thumbhole stock, oiled with satin finish
- 3 Integrated groove for optic recoil lug
- 4 Silent positive safety
- 5 11 mm-ANSCHÜTZ prism rail
- 6 Interchangeable ANSCHÜTZ precision barrel
- 7 Recessed muzzle
- 8 Classic ambidextrous walnut stock, oiled with satin finish
- 9 Non-slip checkering in new design
- 10 Detachable 5-shot magazine, easy to exchange
- 11 Magazine release lever
- 12 Trigger guard made of high strength molded polymer
- 13 Single stage trigger 5061 D Heavy, 800g - 1.200g
- 14 Studs



1761 CLASSIC **WELL-BALANCED**

The well balanced and ambidextrous lacquered walnut stock. Looks traditional – looks good. For the right-handed shooter, for the left-handed shooter. Straight-forward, effective, low in vibration, well-balanced. Laser-cut, weather-resistant checkering for optimal grip. Shock-absorbing, non-slip butt pad.



Also available as a right-hand version.

1761 FL MONTE CARLO

ELEGANT AND ERGONOMIC

Matt oiled walnut stock with schnabel fore-end tip, pistol grip and laser-cut checkering for a secure grip even in wet conditions. The roll-over cheek piece for a perfect and comfortable position of your head when aiming.

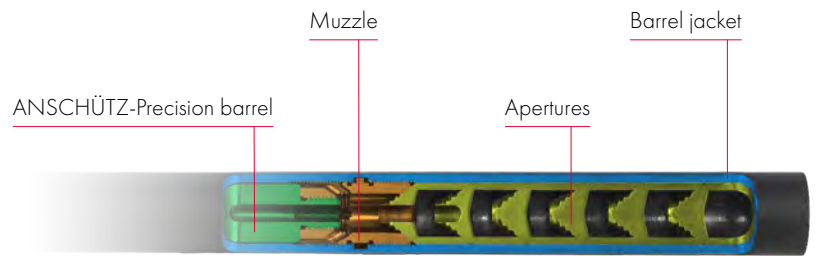


- 1 Non-slip rubber butt pad
- 2 Ergonomic Monte Carlo stock made of beautiful grown oiled walnut with roll-over cheek piece
- 3 Integrated groove for optic recoil lug
- 4 Silent positive safety
- 5 11mm-ANSCHÜTZ prism rail
- 6 Rear sight with three inlaid yellow luminous dots
- 7 Interchangeable ANSCHÜTZ precision barrel
- 8 Red pearl front sight out of polymer with protection hood, adjustable in height
- 9 Inner thread M12x1
- 10 Two stage trigger 5061 Light, 250 g - 450 g
- 11 Classic ambidextrous walnut stock, oiled with satin finish
- 12 Non-slip checkering in new design
- 13 Trigger guard made of high strength molded polymer
- 14 Single stage trigger 5061 D Heavy, 800 g - 1.200 g
- 15 Magazine release lever
- 16 Detachable 5-shot magazine, easy to exchange
- 17 Barrel with integrated sound moderator



Model 1761 FL Monte Carlo, caliber .22 l.r.
Barrel length 584 mm, two stage trigger 5061 D Light 250 - 450 g,
Total length 1.035 mm, total weight approx. 3.100 g
Item No.: 016155 (Right hand version)
Shown with higher quality wood class.

Threaded adapter for 1761 barrels with open sight and inner thread,
from inner thread M12x1 to outer thread 1/2" - 20 UNF, optionally available as accessory



Inner construction of the integrated sound moderator at model 1761 Whisper



Model 1761 Whisper, caliber .22 l.r.
Barrel length 365 mm, single stage trigger 5061 D Heavy 800 - 1.200 g, total length 935 mm, total weight approx 3.150 g
Item No.: 015279 (Right hand version)

1761 WHISPER – ONLY AVAILABLE IN .22 l.r.
SILENT TRUST

Whispering, quiet and silent. Stainless steel, accuracy craftsmanship, easy handling. Radiate silence, convinces all along the line. With low noise, highest precision and with little damage to the game or pelt, this rifle is well suited for urban areas.

1761 MP R MULTI PURPOSE BEAVERTAIL **FLEXIBLE FOR HIGHEST PRECISION**

Developed from the needs of shooters from the range and the field, this stock combines the advantages of a classic target stock, combined with the wide and easy to handle beavertail forend. The integrated aluminum rail in the forend makes this stock a great overall package. Stained walnut with stippled checkering at pistol grip, prepared for attaching a butt plate carrier.



- 1 Non-slip rubber butt pad
- 2 Prepared for attaching a butt plate carrier
- 3 Stained Multi Purpose Beavertail stock made of beautiful grown hardwood
- 4 Integrated groove for optic recoil lug
- 5 Silent positive safety
- 6 11 mm-ANSCHÜTZ prism rail
- 7 Interchangeable ANSCHÜTZ precision barrel
- 8 Reinforced, recessed muzzle with groove for attaching a front sight
- 9 Stippled checkering
- 10 Wide and easy to handle beavertail forend with integrated aluminum rail for accessories
- 11 Lacquered stock made of beautiful grown walnut with stippled checkering
- 12 Match two stage trigger 5061 Light, 250g - 450g
- 13 Trigger guard made of high strength molded polymer
- 14 Magazine release lever
- 15 Detachable 5-shot magazine, easy to exchange
- 16 Grip and forend with stippled checkering and integrated aluminum rail for accessories



Model 1761 MP R Multi Purpose Beavertail, caliber .22 l.r.
Barrel length 544 mm, Match two stage trigger 5061 D Light 250 - 450 g
Total length 970 mm, total weight approx. 3.500 g
Item No.: 015539 (Right hand version)
Item No.: 015773 (Left hand version)



Reinforced, recessed muzzle with groove for attaching a front sight.



Model 1761 MS R, caliber .22 l.r.
Barrel length 544 mm, Match two stage trigger 5061 D Light 250 - 450 g
Total length 950 mm, total weight approx. 4.000 g
Item No.: 015540 (Right hand version)

1761 MS R THE SPORTING RIFLE

The ANSCHÜTZ small bore rifle for shooting on metal silhouettes and targets. Receiver with an 11 mm ANSCHÜTZ prism rail and grooved barrel for attaching a front sight, so you can also shoot with sight set. Anatomically designed stock with cheek piece especially made for these disciplines. With non-slip and adjustable rubber butt plate and aluminum rail in the forend. The stock is prepared for the assembly of a butt plate carrier – to adjust the stock in length. Stippled checkering on pistol grip and forend.



FROM HERE TO THERE.

RELIABLE. DISTRACTION FREE. 1761



1761

FIND REPOSE

Shooting is a complex, contradictory act, but ultimately, in the core of its being, it forces the shooter to re-examine himself.

LOOK INWARD – BREATHE – STAY STILL – FEEL – CONCENTRATE ... the actual triggering of the shot is almost of secondary importance.

On the following pages, you will experience the 1761 in its full range of detail. You will see the interplay of cleverly devised components produced with devotion and tested with meticulous attention to detail.

The ANSCHÜTZ 1761.

1761 RECEIVER

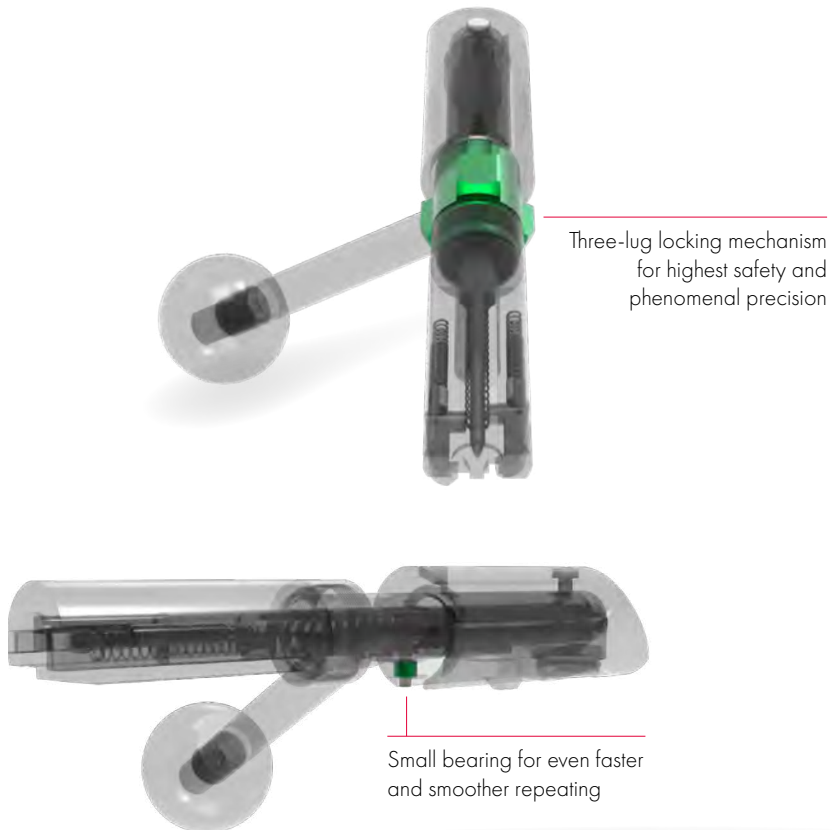
WHAT TURNS YOU ON. EVERYTHING THAT MAKES A ANSCHÜTZ.

The foundation of our high precision rests on the barreled action design. Geometry inspired by our target rifles, with a high degree of stiffness, a flat supporting surface and an integrated recoil lug. The precision action is manufactured by highly demanding production processes and with gunsmiths expertise. In the action integrated well engineered ejector can be changed very easily. The luminous matte surface lends the model 1761 a timeless appearance, which will continue to look excellent even for many years to come.



1761 BOLT RUNS EASY AND QUICK

The small bearing reduces the force needed to open and to close the bolt. Fast and easy repeats are possible. Symmetrically arranged three-lug locking mechanism for the highest safety and phenomenal precision. Simple disassembly for care and cleaning. The high-quality and resistant QPQ coating ensures additional sliding capacity, resistance to wear, and corrosion protection, and thus is perfect for use in hunting and for harsh weather conditions.



1761 TRIGGER OUR TRADITION

It doesn't matter which kind of trigger you need, whether single stage or two stage, which aiming position is preferred or required, whether prone, sitting, kneeling or freehand standing:

With four different triggers for the model 1761, you will find the perfect interface between you and your 1761 smallbore rifle.

There is nothing better.



1761 BARREL VERSIONS

EXPERIENCE LEADS TO PRECISION

The 1761 modular system offers the perfect barrel versions for every application. If you need a heavy precision barrel or classic hunting barrels in different lengths - we have what you looking for.

Following barrel versions for your perfect configuration:

- Heavy precision barrel, 21.4" (544 mm) grooved, with reinforced muzzle
- Two different muzzle threads 1/2" - 20 UNF und 1/2" - 28 UNEF
- Precision hunting barrels in different lengths
23" (584 mm) with open sight (FL) and inner thread M12x1
20.3" (515 mm) without barrel thread
20.3" (515 mm) with barrel thread
18" (457 mm) with barrel thread
14" (356 mm) with barrel thread
- Hunting barrel with open sight (FL)
20.3" (515 mm) with inner thread M12x1
- Barrel with integrated sound moderator (only .22 l.r.)
19.3" (492 mm), the integrated sound moderator is easy to disassemble and to clean

If you would like to change the caliber, the barrel can be easily altered by a qualified gunsmith. Thanks to its two tenon locking clamps, the barrel clamping allows for the barrel to be re-inserted with perfect precision - every time.



1761 OPTICS & MOUNTS

THE LINK

Simple telescopic sight mounting with the help of the 11-mm ANSCHÜTZ action prism rail. Integrated recoil lug in the prism rail ensures the highest stability of the mount. Optional 1761 picatinny rail available for mounting various optics.



1761 MAGAZINE

STRONG HANDLING

The single-stack 5-shot magazine with a robust stainless steel housing can be changed extremely quick and easy. This is made possible by the release lever integrated into the trigger and the extended magazine base plate. The high-strength magazine base plate is made of weather-resistant polymer.



**TRADITION**

THAT MEANS IN CONSISTENCY AND STEADFASTNESS IN
UPHOLDING THE CONCEPT OF „**MADE IN GERMANY**“

Rudolf Anschütz (left)
with plant manager
Hermann Wild (right) at
the development in 1950.

1761 STOCK AND ACTION BEDDING **THE BASE OF PRECISION**

The oiled Classic hunting stock with its straight comb is suitable for right-handed as well as left-handed shooters (ambidextrous). The non-slip checkering in new design ensures a sure and stable grip even in rain. The ergonomically designed thumbhole stock made of oiled walnut with satin finish ensures stability in the firing position and a relaxed shooting posture thanks to its roll-over cheek piece and its sharp pistol grip.

The MP R Multi Purpose Beavertail stock, as well as the MS R Silhouette stock are equipped with a stippled checkering. Furthermore, these two stocks are the bridge between the needs of the shooting range and the hunting grounds. The aluminum rail in the forend enables the attachment of accessories, such as a hand stop. These stocks are also prepared for the assembly of a butt plate carrier.

The solid and flat bedding of the barreled action in the stock ensures the highest precision. Just phenomenal details.

Integrated aluminum rail



Receiver made of solid steel



Integrated recoil lug

Solid and flat bedding



PRODUCED WITH DEVOTION

TESTED WITH CARE

1761 CONFIGURATOR – RIGHT AND LEFT HAND VERSION

YOUR PERSONAL 1761 - ACCORDING TO YOUR WISHES!

1. CHOOSE A STOCK



Classic

Length of pull370 mm
 Length of stock740 mm
 Material.....Walnut, oiled



Thumbhole stock

Length of pull360 mm
 Length of stock750 mm
 Material.....Walnut, oiled



Monte Carlo

Length of pull370 mm
 Length of stock780 mm
 Material.....Walnut, oiled



Classic - Left hand version

Length of pull370 mm
 Length of stock740 mm
 Material.....Walnut, oiled

2. CHOOSE A CALIBER

Caliber .17 HMR

Number of grooves6
 Twist rate.....229 mm



Caliber .22 I.r.

Number of grooves8
 Twist rate.....415 mm



Caliber .22 WMR

Number of grooves8
 Twist rate.....395 mm



Technical data (depending on the configuration):
 The total weight is between 2.500 g and 4.000 g.
 The total length is between 740 mm and 970 mm.

Scope of delivery:
 Model 1761 configurations will be delivered with a 5-round magazine
 and a thread protector (if the action is selected with barrel thread).



3. CHOOSE A BARREL LENGTH

515 mm (20.3 Inch) Barrel

Length of barreled action637 mm
 Muzzle diameter 19 mm



457 mm (18 Inch) Barrel

Length of barreled action579 mm
 Muzzle diameter 19 mm



356 mm (14 Inch) Barrel

Length of barreled action478 mm
 Muzzle diameter 19 mm



4. CHOOSE A MUZZLE OPTION

Recessed muzzle



Barrel thread ½ Inch - 20 UNF with thread protector



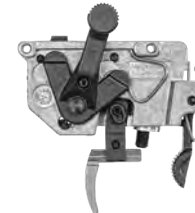
Barrel thread ½ Inch - 28 UNEF with thread protector



5. CHOOSE A TRIGGER



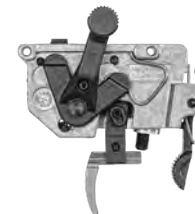
Single stage trigger 5061 D Light
 Adjusted to300 g
 Range of adjustment250 g - 450 g



Two stage trigger 5061 Light
 Adjusted to300 g
 Range of adjustment250 g - 450 g



Single stage trigger 5061 D Heavy
 Adjusted to1.000 g
 Range of adjustment800 g - 1.200 g

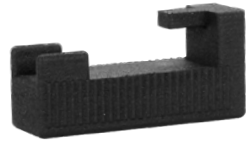


Two stage trigger 5061 Heavy
 Adjusted to1.000 g
 Range of adjustment800 g - 1.200 g

1761 ACCESSORIES FOR THE FINISHING TOUCH



1761 Picatinny rail,
for scope mounts,
red-dots or sights.



1761 Magazine loading help,
enables easy and quick loading
of the magazine.



**1761 5-shot magazine
replacement,**
for calibers .17 HMR,
.22 l.r. and .22 WMR.



ANSCHÜTZ Special soft case for hunting and sporting rifles,
as a special feature, the new carrying strap system, including a lock,
also lets you carry the soft case on your back.
Outer dimensions: 1.250 x 250 x 50 mm



1761 Trigger guard,
made out of aluminum.



Sound moderator,
for caliber .22 l.r.,
compatible with barrel thread
½ inch – 20 UNF.



Target knob,
made of beautiful grown walnut,
20 mm or 25 mm diameter.



Target knob,
made out of steel,
diameter 25 mm.



Thread adapter,
from inner thread ½ inch – 20 UNF
to outer thread ½ inch – 28 UNEF.



Sling swivels, 1"

Optimum solution for a fast exchange and removal of gun slings.



Aluminum butt plate carrier,
for mounting on 1761 MP R and MS R stocks. So the stock can be adjusted in length.



1761 Cleaning rod guide,

The cleaning rod guide protects the cartridge chamber and the trigger unit from scratches, cleaning agents and residues from the barrel.



Threaded adapter for 1761 barrels with open sight and inner thread,
from inner thread M12x1 to outer thread 1/2" - 20 UNF.



Wood class Standard*



Wood class Premium*



Wood class Luxus*



Wood class Meistergrade*

*All wood classes shown are only examples. Wood is a natural product. Deviations in grain, wood structure and color within the ANSCHÜTZ wood quality classes are possible.



**SPEED, PRECISION AND ELEGANCE
GERMAN ENGINEERING AT ITS FINEST**



ANSCHÜTZ

EINFACH EINS WERDEN!

1727



IMPORTANT SECONDS FOR HUNTING SUCCESS

WITH THE ANSCHÜTZ STRAIGHT PULL BARRELED ACTION

1727 F

STRAIGHT-PULL LEADS TO SUCCESS

A straight-pull design means minimal movement in operation and, of course, super-fast cycling of the bolt — both advantages are important when hunting.

The precisely crafted barreled action is adapted from our world famous biathlon rifles to meet the needs in the field and on the shooting range.

The result: A high end straight-pull repeating rifle with a target pedigree, aimed for the hunting market.

Fast, precise, elegant.

1727 F

1727 F MODELS – THE PROVEN STRAIGHT PULL ACTION **BIATHLON TECHNOLOGY OPTIMISED FOR HUNTING**

Centered on the world-famous straight-pull biathlon action and paired with a wonderfully balanced German stock made of oiled walnut, the 1727 defines German craftsmanship. Classic lines and timeless ergonomics continue our long tradition of shooting excellence. Like our other sporting rifles, the 1727 shares the same schnabel forearm, precise checkering, and satin finish.



1 Non-slip rubber butt pad

2 German style stock, made from aged walnut

3 Thumb rest for fast repeating

4 Straight pull barreled action in caliber .22 l.r.

5 11 mm dovetail rail for scope mounting

6 ANSCHÜTZ Precision barrel

7 Recessed muzzle, 18 mm

8 Non-slip checkering

9 Match two stage trigger 5020/1; 90 g - 650 g
set in factory to 550 g

10 Magazine release lever

11 Detachable magazine, easy to exchange
5-shot .22 l.r. / 4-shot .17 HMR

12 Studs

13 Straight pull barreled action in caliber .17 HMR

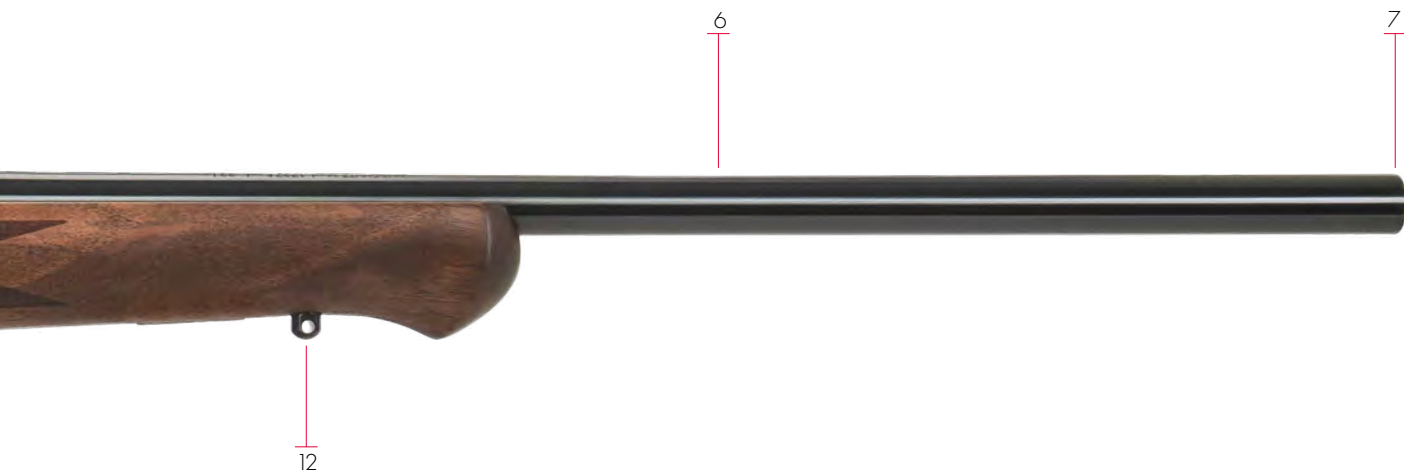
14 Sliding safety catch

Technical data (depending on the model):

The total weight is between 3.100 g and 3.500 g.
The total length is between 913 mm and 1.040 mm.

Scope of delivery:

1727 F Models will be delivered with a 5-round magazine with cal. .22 l.r. or 4-round magazine with cal. .17 HMR, sling swivel and a thread protector (if the model is selected with barrel thread) in the transport rifle case MEGA.



Model 1727 F Walnut German stock, caliber .22 l.r. (hot blued receiver)

- Item No.: 014206 (Right-handed version, 560 mm/22" barrel)
- Item No.: 014205 (Left-handed version, 560 mm/22" barrel)
- Item No.: 014882 (Right-handed version, 457 mm/18" barrel with barrel thread 1/2"-28 UNEF)
- Item No.: 015664 (Right-handed version, 457 mm/18" heavy barrel with barrel thread 1/2"-28 UNEF)



Model 1727 F German stock, caliber .17 HMR (silver gray nitrided receiver)

- Item No.: 013169 (Right-handed, 560 mm/22" barrel, caliber .17 HMR)
- Item No.: 013666 (Left-handed, 560 mm/22" barrel, caliber .17 HMR)
- Item No.: 014642 (Right-handed, 457 mm/18" barrel thread 1/2"-28 UNEF, caliber .17 HMR)

1727 F RECEIVER

SOLID CORE PIECE

Tremendous strength blended with precise machining. Adapted from our 1827 biathlon rifle, the robust 1727 receiver is the most rigid and heavy duty receiver in our sporting line of smallbore rifles. Designed to withstand the most demanding environments. Offered in various coatings to protect from rust and corrosion.



Thumb rest

Hot blued receiver on 1727 F models in caliber .22 l.r.

11mm dovetail rail for scope mounting

ANSCHÜTZ Precision barrel

Recessed muzzle or barrel thread 1/2"-28 UNEF with thread protector

Silver grey nitrided receiver on 1727 F models in caliber .17 HMR

Recoil lug

Magazine guide with magazine release lever

Magazine guide with the .17 HMR magazine inside

Match two stage trigger 5020/1 adjustable from 90 g - 650 g

1727 F BOLT FOR THE OLYMPICS

The heart of our world-famous biathlon action; the straight-pull bolt. Seven hardened steel balls for secure lock-up. Pulling back on the knurled bolt handle releases the locking mechanism, allowing the steel balls to release their grip on the receiver and the bolt to move backwards in a perfectly straight line, opening the action. Once the spent casing is ejected, the shooter's thumb drives the bolt forward in a quick motion, loading the next round into the chamber and locking the steel balls back into position. This series of motions can be performed with just a quick movement of the wrist, making the 1727 incredibly fast for follow-up shots.



1727 F MAGAZINE SAFELY INTEGRATED

The magazine is made of weatherproof stainless steel for rimfire magnum cases to greatly reduce rusting and corrosion when used in damp conditions. Featuring a removable polymer base plate, the magazine can be easily serviced and cleaned.



1727 F TRIGGER THE BENCHMARK FOR SPORTING RIFLE TRIGGERS

50 high-precision parts carefully assembled, tested, and tuned at our factory to create the perfect interface between the shooter and the rifle. Based on our famous 5018 match trigger, the new 5020/1 trigger shares the same mechanical operation, but with a wider range of trigger pull weight (90 g to 650 g), properly suited for the sport shooter or small-game hunter. Near to unique, and meanwhile adapted by other manufacturers.

There is nothing better.



More than 50 high-precision individual parts

1727 F ACCESSORIES FOR THE FINISHING TOUCH



Magazine, replacement,
5-shot, caliber .22 l.r.




Magazine, replacement,
4-shot, caliber .17 HMR



1727 F Cleaning rod guide,
the cleaning rod guide protects the
cartridge chamber and the trigger unit
from scratches, cleaning agents and
residues from the barrel.



ANSCHÜTZ special soft case for hunting and sporting rifles,
for the safe transport of your hunting rifle. As a special feature, the new carrying strap system, including a lock, also lets you carry the soft case on your back. Outer dimensions: 1.250 x 250 x 50 mm.



*Improving of the tried and tested. For experts, for enthusiast.
For hunting. Uncompromisingly successful. A masterpiece of
ANSCHÜTZ gunsmithing. So you can proudly say:*

“MY ANSCHÜTZ”





ANSCHÜTZ

EINFACH EINS WERDEN!

MERCHANDISE

ANSCHÜTZ FAN WORLD FOR HUNTING AND THE SHOOTING RANGE



ANSCHÜTZ Caps,

made of robust fabric that is ideal for hunting and all outdoor activities. The size of the cap can be adjusted. With an elegant ANSCHÜTZ leather patch or embroidery.



ANSCHÜTZ Signal vest,

with a large and smooth zipper on the front. Thanks to the generous cut, the signal vest can be put on quickly and easily. The ANSCHÜTZ logo is on the left chest and on the back.



ANSCHÜTZ T-Shirt "Deer"

the high-quality T-shirt made of elastic fabric (95% cotton, 5% elastane) with deer design on the front and 1782 slogan "Think Powerful" on the back. Available in sizes S, M, L, XL and XXL.



ANSCHÜTZ T-Shirt "Oryx"

the high-quality T-shirt made of elastic fabric (95% cotton, 5% elastane) with oryx design on the front and 1782 slogan "Think Powerful" on the back. Available in sizes S, M, L, XL and XXL.



ANSCHÜTZ Shooting vest,

offers numerous big pockets to comfortably put in your equipment. The size of the vest can be adjusted using length adjustment with press buttons on the back and the stretch material incorporated into the sides of the vest. Velcro straps on the back allow to attach a towel or similar quickly and easily. Clips on the back offer the option of attaching a number plate during competitions.



ANSCHÜTZ Key chain caliber .300 Win. Mag.,

with ANSCHÜTZ Logo and Slogan "**THINK POWERFUL. SHOOT MAGNUM.**"
With robust socket pin with ball lock and key ring made of stainless steel.



ANSCHÜTZ Knife,

the blade of the knife is made of cleanly sharpened high carbon steel and hardened according to a secret recipe. It offers a perfect balance between the blade length and the blade height. You will immediately feel this sense of harmony when using the knife. The lightweight quiver sheath made of sturdy synthetic material can be easily attached to the belt with a clip. Two knives can be coupled by twisting the molded button. If you don't like it, you can simply cut off the button.

Product data:

Blade length: approx. 9.1 cm
Handle length: approx. 11.6 cm
Total length: approx. 20.7 cm
Blade height: approx. 1.9 cm
Blade thickness: approx. 2.0 mm
Weight knife: approx. 79 g
Total weight: approx. 110 g
Blade flanks: polished
Blade back: not sharpened
Steel: high carbon steel
Hardness: 59-60 HRC
Color: red/black
Color of the knife sheath: red/white



ANSCHÜTZ Poster 1782,

with an appealing and striking front and informative back to all features of the model series 1782. In German or English version, size DIN A2 (584 x 420 mm). English version with oryx on the front and red deer on the back.

ANSCHÜTZ FAN WORLD

EVERYTIME AND EVERYWHERE



ANSCHÜTZ Wine glass,
if you want to enjoy wines in style, do not only pay attention to the quality of the wine, but also choose a suitable wine glass! With ANSCHÜTZ engraving.



ANSCHÜTZ Long drink glass,
ice cubes, spirits and fillers can be combined to great successful creations in the elegant glasses. With ANSCHÜTZ engraving.



ANSCHÜTZ Backpack,
the sporty backpack that will be helpful in everyday life. The large interior and the attached front pocket offer plenty of storage. Large zippers for easy using. Quickly adjustable shoulder strap system to adjust the size optimally. The backpack has rubber feet to put the backpack down safely.



ANSCHÜTZ Logo key chain,
made of robust stainless steel and therefore resistance to dust, dirt and water. 50 mm x 12 mm.



ANSCHÜTZ Logo Patch,
made of high quality and robust textile, approx. 93 x 22 mm.



ANSCHÜTZ Logo Sticker,
approx. 110 x 40 mm.



ANSCHÜTZ CAMO Clothing series

As a versatile, multifunctional scarf, as a warm and breathable outdoor hat or as multifunctional gloves - the ANSCHÜTZ Camo series is the ideal companion on cold autumn and winter days.

ANSCHÜTZ CAMO Multifunctional scarf,
the perfect companion on cold autumn and winter days made of elastic polyester fiber. Can be transformed into different headwear in just a few simple steps. Washable at 30°C. Sizes: One size
Material: 88% polyester, 12% elastane.

ANSCHÜTZ CAMO Outdoor hat,
made from Italian breathable thermal fleece. Washable up to 30°C. Sizes: S/M or L/XL
Material: 85% polyester, 15% elastane.

ANSCHÜTZ CAMO Multifunctional glove,
the upper hand material is made of elastic fabrics for the best fit, the inner hand material is made of hard-wearing and fine synthetic leather. Smartphones can be operated with the index finger (Touch finger). A terry cloth is attached to the thumb to wipe away sweat. Washable up to 30°C, Sizes: 7(S) - 11(XXL),
Material: 41% polyamide, 37% polyester, 12% polyurethane, 10% elastane.



ANSCHÜTZ Special soft case for hunting and sporting rifles,
as a special feature, the new carrying strap system, including a lock,
also lets you carry the soft case on your back.
Outer dimensions: 1.250 x 250 x 50 mm.



ANSCHÜTZ Transport gun case MEGA,
for 2 rifles with accessories, black with ANSCHÜTZ logo. Empty weight: approx. 3.5 kg,
Outer dimensions: 1.200 x 360 x 15 mm, inner dimensions: 1.185 x 340 x 90 mm.
Two thick foam trays protect your hunting rifle from bumps reliably.



ANSCHÜTZ Sports Bag – 800 x 400 x 340 mm,
can be opened in the middle with a zipper and provides
an excellent overview of your luggage. With lockable,
one-piece compartment. The pull-out handle and the
skater wheels offer maximum comfort during your journey.
A robust synthetic base prevents deformation and protects
your luggage from bumps. Volume 108 l.





ANSCHÜTZ

EINFACH EINS WERDEN!

CUSTOM SHOP

ANSCHÜTZ CUSTOM SHOP **INDIVIDUAL MASTERPIECES**

Give your ANSCHÜTZ rifle your own personalised mark. A high-quality custom designed hunting rifle is an investment that will be appreciated for generations. We can bring to life your experiences and memories or realize your artistic hunting style on an ANSCHÜTZ rifle. Whether you decide on an extensive deep relief or a restrained fine scroll engraving, or an elegant signature on the trigger guard, let us craft a special piece for you. If you want to extensively embellish a rifle, to create a one-of-a-kind item of rare and collectable value. The engravings shown are only examples.

Our Custom Shop will be happy to coordinate your individual wishes with you.



ANSCHÜTZ

EINFACH EINS WERDEN!



ANSCHÜTZ

EINFACH EINS WERDEN!

J.G. ANSCHÜTZ GmbH & Co. KG
Jagd- und Sportwaffenfabrik

Daimlerstraße 12 · 89079 Ulm / Germany

Fon +49 - (0)731 - 40 12 - 0

Fax +49 - (0)731 - 40 12 - 700

www.anschuetz-sport.com

www.facebook.com/OfficialAnschuetz

www.youtube.com/AnschuetzGmbH

www.instagram.com/AnschuetzGmbH

Your Dealer:

COMMITTED TO PRECISION SINCE 1856

You can always rely on an ANSCHÜTZ hunting bolt action rifle. Your ANSCHÜTZ rifle will be a reliable companion for you at all times, with unsurpassed precision and functionality. This is what the name ANSCHÜTZ stands for.

Numerous Olympic champions, World and European champions as well as over 97% of all biathletes and target shooters in the whole world trust in this ANSCHÜTZ precision. You too can benefit from over 165 years of experience in the field, which has been incorporated into our hunting bolt action rifle, just as you can benefit from the experience of car manufacturers in racing.

For us hunter at ANSCHÜTZ, our products have long been more than just a daily companion through the hunting year - they are the center of our passion.

**ANSCHÜTZ wishes
you a good hunting.**

E KD 09/21 · 5.000 · Production and model changes reserved · All colors and sizes approximate · Supply of firearms only to the holders of purchasing permit · Misprints, errors and prior sale also reserved © ANSCHÜTZ

ANSCHÜTZ, the ANSCHÜTZ logo, the ANSCHÜTZ logo in connection with the words "Die Meister Macher" and "Einfach Eins Werden" (also in a different way of writing) are protected trademarks of J.G. ANSCHÜTZ GmbH & Co. KG, Ulm, Germany. The use of these symbols is prohibited without the consent of J.G. ANSCHÜTZ GmbH & Co. KG inadmissible and punishable by law.

