



ANSCHÜTZ

EINFACH EINS WERDEN!

Model **1761**

THE NEW **SYNTHESIS**
OF **HIGH TECHNOLOGY**
AND **CRAFTSMANSHIP**

NEW!



Since 1856, over the course of six generations, we have paired available knowledge with newly-obtained scientific understanding. We generate **trust**, we generate **reliability**, we generate **precision**. All of this, so you can stand up proudly and say

„MY ANSCHÜTZ!“



1761

THE FIRST SHOT

You pick it up, and at once you feel:
This small-bore rifle is something else!

At this moment, you probably won't think immediately about the gunsmith in his studio and about the time spent in **polishing metal components**; maybe you don't know anything about the care with which the technician **lapped** and **honed** the barrel, but the matte surface, the perfectly soft gliding head of the bolt, and the **close** connection of the stock and framework formed by the hidden thrust bearing will captivate you.

You will likely not even feel the small bearing, the four millimetres of steel support in the interior of the bolt, in which the three-lug locking mechanism ensures a self-centring closure in the action, but you will certainly notice the smooth repeating speed of the 1761.

The way you become one with the 1761 will trigger a smile: My rifle!

You won't want to put it down.

1761 **STOCK**

THE COMPLEX MADE SIMPLE – PRECISION IN PERFECTION

The thumbhole stock. The eye-catcher when it comes to optical and functional advantages. Light walnut, oiled; the trigger finger is free to act without being burdened. The milled recesses lend the 1761 a futuristic look, which will maintain its good appearance for many years to come!



1 Non-slip rubber butt plate

3 Integrated groove for optic recoil lug

5 11 mm-ANSCHÜTZ prism rail

7 Studs

9 Single stage trigger 5061, 800 - 1.200 g

2 Ergonomic walnut thumbhole stock

4 Silent positive safety

6 Interchangeable ANSCHÜTZ precision barrel

8 Checkered surface in new design



10 Trigger guard made of high strength molded polymer

11 Magazine release lever

12 Detachable 5-shot magazine, easy to exchange



1761 **CLASSIC**

WELL-BALANCED

The well balanced and ambidextrous lacquered walnut stock. Looks traditional - looks good. For the right-handed shooter, for the left-handed shooter. Straight-forward, effective, low in vibration, well-balanced. Laser-cut, weather-resistant checkering for optimal grip (9). Shock-absorbing, non-slip butt plate (1).



1 Non-slip rubber butt plate

3 Integrated groove for optic recoil lug

5 11 mm-ANSCHÜTZ prism rail

7 Barrel thread ½ Zoll-20 UNF

9 Checkered surface in new design

2 Classic ambidextrous walnut stock

4 Silent positive safety

6 Interchangeable ANSCHÜTZ precision barrel

8 Studs

10 Single stage trigger 5061, 800 - 1.200g



10 Trigger guard made of high strength molded polymer

12 Magazine release lever

13 Detachable 5-shot magazine, easy to exchange



ANSCHÜTZ
EINFACH EINS WERDEN!



FROM HERE TO THERE. TO BECOME ONE.

RELIABLE. DISTRACTION FREE. 1761



1761

FIND REPOSE.

Shooting is a complex, contradictory act, but ultimately, in the core of its being, it forces the shooter to re-examine himself.

LOOK INWARD - BREATHE - STAY STILL - FEEL - CONCENTRATE ... the actual triggering of the shot is almost of secondary importance.

On the following pages, you will experience the 1761 in its full range of detail. You will see the interplay of cleverly devised components produced with devotion and tested with meticulous attention to detail.

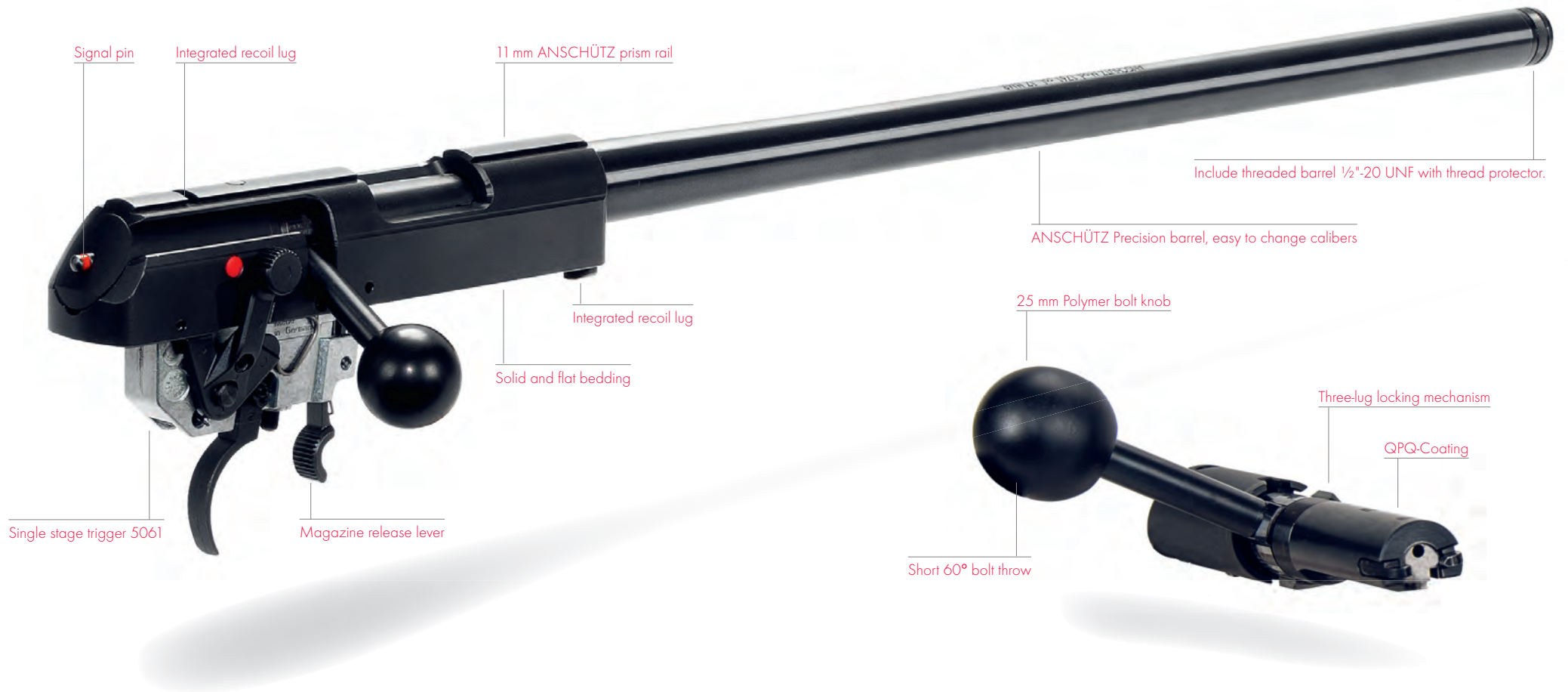
The ANSCHÜTZ 1761.

1761 **FEATURES**

PRECISION, QUALITY AND FUNCTIONALITY

RECEIVER

- The foundation of our high precision rests on the barreled action design. Geometry inspired by our target rifles, with a high degree of stiffness, a flat supporting surface and an integrated recoil lug.
- The precision action is manufactured by highly demanding production processes and with gunsmiths expertise.
- In the action integrated well engineered ejector can be changed very easily.
- The luminous matte surface lends the model 1761 a timeless appearance, which will continue to look excellent even for many years to come.

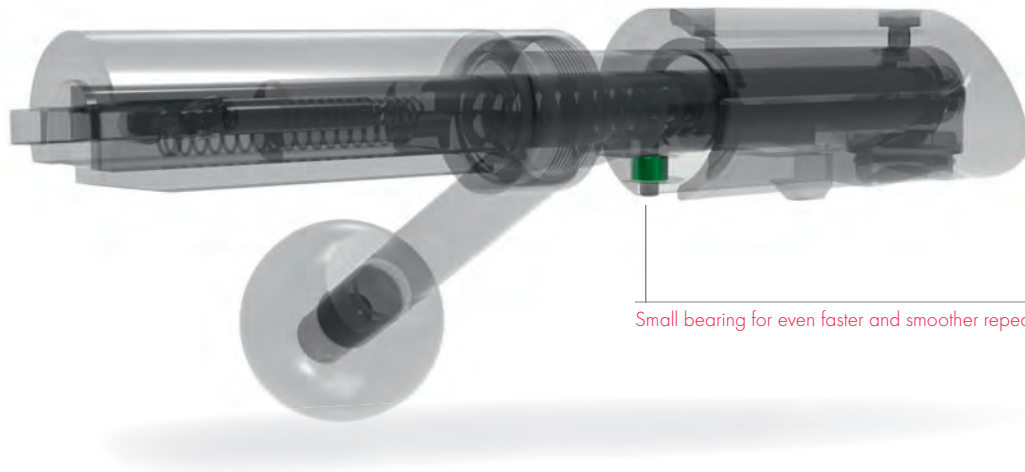


BOLT

- The small bearing reduces the force needed to open and to close the bolt. Fast and easy repeats are possible.
- Symmetrically arranged three-lug locking mechanism for the highest safety and phenomenal precision.
- Simple disassembly for care and cleaning.
- The high-quality and resistant QPQ coating ensures additional sliding capacity, resistance to wear, and corrosion protection, and thus is perfect for use in hunting and for harsh weather conditions.



Three-lug locking mechanism for highest safety and phenomenal precision



Small bearing for even faster and smoother repeating

TRIGGER & SAFETY

- Adjustable ANSCHÜTZ single stage trigger 5061, set at the factory to 1,000 g, adjustable from 800 - 1,200 g
- Ergonomic and silent activating positive safety.
- The light weight, hardened and finely lapped trigger parts allow for fast and clean release.



PRECISION BARREL

- Two basic versions.
18" (457 mm) with barrel thread 1/2"-20 UNF, 20.3" (515 mm) without barrel thread
- If you would like to change the caliber, the barrel can be easily altered by a qualified gunsmith.
- Thanks to its two tenon locking clamps, the barrel clamping allows for the barrel to be re-inserted with perfect precision - every time.



1761 **FEATURES**

PRECISION, QUALITY AND FUNCTIONALITY

OPTICS & MOUNTS

- Simple telescopic sight mounting with the help of the 11-mm ANSCHÜTZ action prism rail.
- Integrated recoil lug in the prism rail ensures the highest stability of the mount.
- Optional Picatinny rail available for mounting various optics.



MAGAZINE

- Single-stack, 5-shot magazine with stainless steel housing.
- Optimized magazine handling thanks to the release lever integrated into the trigger and the extended magazine base plate.
- High-strength magazine base plate made of weather-resistant polymer.



STOCK & ACTION BEDDING

- The stained and lacquered Classic hunting stock with its straight comb is suitable for right-handed as well as left-handed shooters (ambidextrous).
- The non-slip checkering in new design ensures a sure and stable grip even in rain.
- The ergonomically designed thumbhole stock made of oiled walnut ensures stability in the firing position and a relaxed shooting posture thanks to its roll-over cheek piece and its sharp pistol grip.
- The solid and flat bedding of the barreled action in the stock ensures the highest precision. Just phenomenal details.



ANSCHÜTZ

EDUARD LINS WERKEN

PRODUCED WITH DEVOTION

TESTED WITH CARE

1761 **MODULAR SYSTEM**

YOUR PERSONAL 1761 - ACCORDING TO YOUR WISHES!

1. CHOOSE A CALIBER

Caliber .17 HMR

Number of grooves6
Twist rate..... 228 mm



Caliber .22 I.r.

Number of grooves8
Twist rate.....420 mm



Caliber .22 WMR

Number of grooves4
Twist rate..... 400 mm



2. CHOOSE A BARREL LENGTH

Barreled action without thread

Length of barreled action637 mm
Barrel length 20.3" (515 mm)
Muzzle diameter..... 19 mm



Barreled action equipped with a single stage trigger 5061, adjustable from 800 - 1.200g, trigger weight, adjusted to 1.000g and a single-stack 5-shot detachable magazine.



Barreled action with thread 1/2" - 20 UNF

Length of barreled action579 mm
Barrel length 18" (457 mm)
Muzzle diameter..... 19 mm



CHOOSE A STOCK

Classic stock, lacquered

Length of pull 360 mm
 Length of stock 745 mm



Stocks equipped with rubber butt plate, studs and a trigger guard.

Thumbhole stock, oiled

Length of pull 360 mm
 Length of stock: 745 mm



4. RECOMMENDED ACCESSORIES



Picatinny rail



5-shot magazine



Trigger guard made out of aluminum



Sling swivles

1761 TECHNICAL SPECIFICATIONS

Depending on the selected configuration, the technical specifications of your model 1761 will be different.

The total weight is between 2.770 - 3.050 g
The total length is between 902 - 960 mm

CONFIGURATION EXAMPLES

Model 1761, 20.3" (515 mm) barrel in classic stock

Total length 960 mm
Total weight, approx..... 2890 g

Model 1761, 18" (457 mm) barrel in classic stock

Total length 902 mm
Total weight, approx..... 2770 g

Model 1761, 20.3" (515 mm) barrel in thumbhole stock

Total length 960 mm
Total weight, approx..... 3.050 g

Model 1761, 18" (457 mm) barrel in thumbhole stock

Total length 902 mm
Total weight, approx..... 2930 g

Caliber

Caliber..... .17 HMR

Number of grooves..... 6
Twist rate 228 mm

Caliber:..... .22 I.r.

Number of grooves..... 8
Twist rate 420 mm

Caliber:..... .22 WMR

Number of grooves..... 4
Twist rate 400 mm

Barreled action without thread

Total length 637 mm
Barrel length..... 20.3" (515 mm)
Muzzle diameter 19 mm
Weight..... 1965 g

Barreled action with thread

Total length 579 mm
Barrel length..... 18" (457 mm)
Barrel thread 1/2" - 20 UNF
Muzzle diameter 19 mm
Weight..... 1840 g

Trigger 5061

Kind of trigger..... Single stage trigger
Adjusted to..... 1.000 g
Range of adjustment..... 800 - 1.200 g
Weight..... 116 g

Classic stock, laquered

Total length of stock..... 745 mm
Length of pull..... 360 mm
Total weight, approx. 928 g
Butt plate..... Rubber butt plate

Thumbhole stock, oiled

Total length of stock..... 745 mm
Length of pull..... 360 mm
Total weight, approx. 1090 g
Butt plate..... Rubber butt plate

Magazine

Number of shots..... 5
Weight..... 40 g



*Rudolf Anschütz (left)
with plant manager
Hermann Wild (right) at
the development in 1950.*

TRADITION

THAT MEANS CONSISTENCY AND STEADFASTNESS IN
UPHOLDING THE CONCEPT OF **"MADE IN GERMANY"**



ANSCHÜTZ JOINS TOGETHER

NOT JUST IN DESIGNING RIFLES

SELECTABLE COMPONENTS		Selection
CALIBER	.17 HMR	■
	.22 l.r.	■
	.22 WMR	■
BARREL	20.3" barrel (510 mm)	■
	18" barrel (457 mm) with thread 1/2" - 20 UNF	□
STOCK	Classic stock, lacquered	■
	Thumbhole stock, oiled	□
RECOMMENDED ACCESSORIES	Picatinny rail	□
	5-shot magazine	□
	Trigger guard made out of aluminum	□
	Bipod made out of aluminum	□
	Sound moderator for cal. .22 l.r.	□
	Sling swivles	□
	Target knob Ø 25 mm made out of steel	□
	Robust transport rifle case	□

"ANSCHÜTZ researches and produces on a high level of technology. In our creations, we draw on the never outdated source of traditional craftsmanship.

In the end, tradition means consistency and steadfastness, not losing your head when it comes to the multitude of perhaps tempting but short-lived trends. And so, we see ourselves as the guardians of an excellent "Made in Germany" concept:

We manufacture nearly all the components of our rifles by ourselves. The employees of ANSCHÜTZ are aware of the responsibility bound up in each individual step of production and are proud to bring with them their experience and specialist knowledge. This is the foundation of the first-class quality of ANSCHÜTZ!

ANSCHÜTZ rifles are not just simple production firearms. They are individual masterpieces that are designed, assembled and tested with the utmost attention to detail."

Jochen Anschütz

Jochen Anschütz
President

ANSCHÜTZ

EINFACH EINS WERDEN!

J.G. ANSCHÜTZ GmbH & Co. KG Jagd- und Sportwaffenfabrik

Daimlerstraße 12 · 89079 Ulm / Germany

Fon +49-(0)731-40 12-0

Fax +49-(0)731-40 12-700

www.anschuetz-sport.com

www.facebook.com/OfficialAnschuetz

www.youtube.com/AnschuetzGmbH

www.instagram.com/AnschuetzGmbH

Your Dealer

